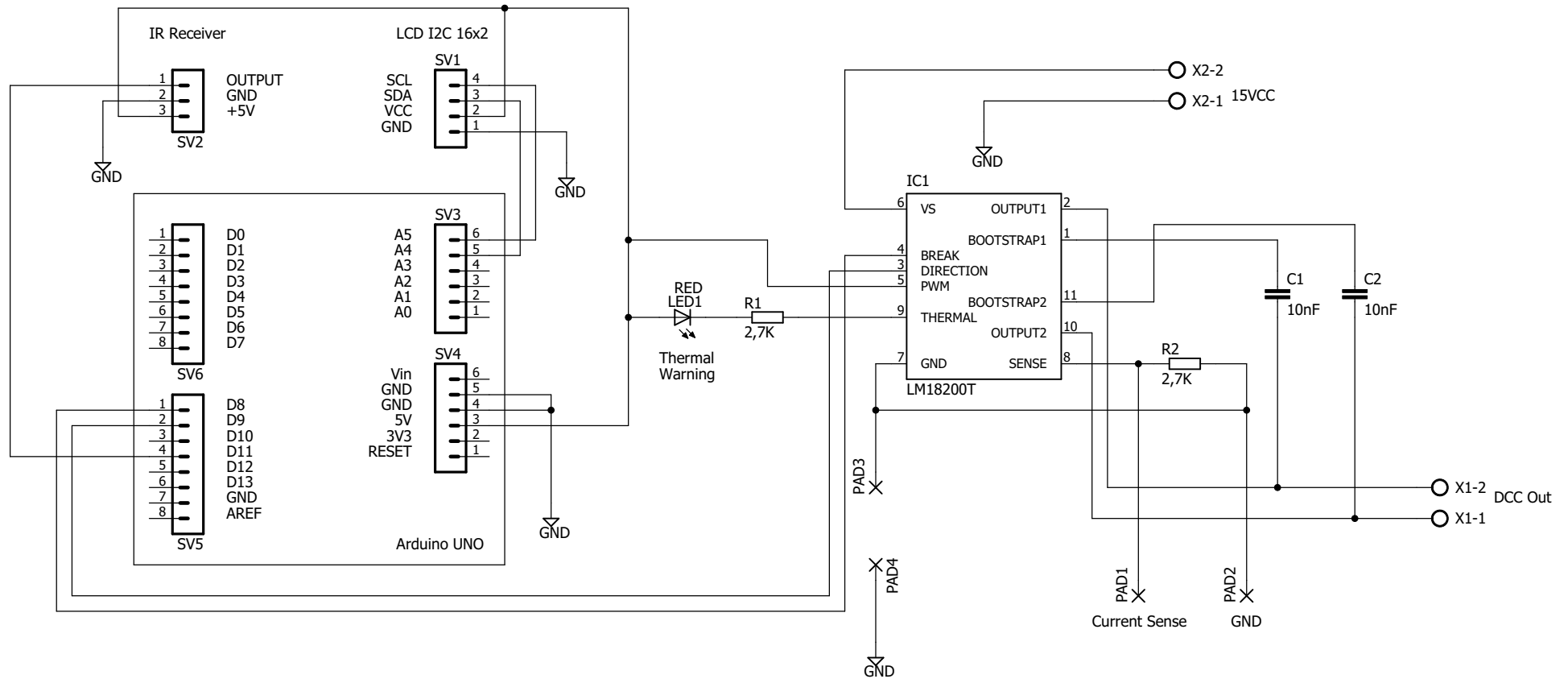


DCC controller Arduino



DCC controller Arduino

TITLE: DCC_schema

Document Number:

REV:

Date: 18/03/2016 02:33

Sheet: 1/1